

10250M



610184

ENGLISH

Table of contents

1. Safety 22
1.1 Key to symbols 22
1.2 Safety instructions 23
1.3 Proper use 29

2. General information 30
2.1 Liability and Warrantees 30
2.2 Copyright protection 30
2.3 Declaration of conformity 30

3. Transport, packaging and storage..... 31
3.1 Delivery check 31
3.2 Packaging..... 31
3.3 Storage..... 31

4. Technical data 32
4.1 Overview of parts 32
4.2 Technical specification 33

5. Installation and operation..... 33
5.1 Installation 33
5.2 Guidelines for cooking with the microwave oven 35
5.3 Suitable dishes for use in the microwave oven..... 35
5.4 Operation..... 36

6. Cleaning 38

7. Possible Malfunctions 39

8. Waste disposal 40

Bartscher GmbH
Franz-Kleine-Str. 28
33154 Salzkotten
Germany

phone: +49 5258 971-0
fax: +49 5258 971-120
Service-Hotline: +49 5258 971-197
www.bartscher.com



Read this instruction manual before using and keep them available at all times!

This instruction manual contains information about the installation, operation and maintenance of the device and should be consulted as an important source of information and reference guide.

Awareness of the safety instructions and instructions for use in this manual will ensure the safe and correct use of the device.

In addition to the information given here, you should comply with any local Health and safety Controls and generally applicable safety regulations.

The instruction manual forms part of the product and should be kept near the device and easily accessible for anyone carrying out the installation, servicing, maintenance or cleaning.

Please keep these instructions and give them to future owners of the device.

1. Safety

This device is designed in accordance with the presently applicable technological standards. However, the device can pose a danger if handled improperly and inappropriately.

All persons using the device must follow the recommendations and instructions in this instruction manual.

1.1 Key to symbols

In this manual, symbols are used to highlight important safety instructions and any advice relating to the device. The instructions should be followed very carefully to avoid any risk of accident, personal injury or material damage.



WARNING!

This symbol highlights hazards which could lead to injury.



WARNING!

This symbol highlights dangerous situations which could lead to injury or death.



HOT SURFACE!

This symbol is a warning that the device surface is hot when in use. Ignoring this warning may result in burns!



CAUTION!

This symbol highlights dangerous situations which could lead to light injuries, or damage, malfunction, and/or destruction of the device.



NOTE!

This symbol highlights recommendations and information aimed for effective and trouble-free device operation.

1.2 Safety instructions

- The device can be used by children 8 years and up, as well as by people with disabilities and those with limited experience/knowledge as long as they are under supervision or have been instructed on proper use of the device and its possible dangers. Children should not play with the device. Cleaning and maintenance cannot be performed by children younger than 8 years old and must be done under supervision. Children under the age of 8 years old must be kept away from the device and its power cord.
- **Never** leave the device unattended when in use.
- Only use the device indoors.
- The device must be operated in correct and safe technical condition only. In case of operational problems disconnect the device from the power supply (pull the plug from the socket) and contact the service company.
- Never use the device when empty. The device may be damaged.

- Prevent access of children to the package materials like plastic bags and foamed polystyrene elements. **Suffocation hazard!**
- Only a qualified technician and using original spare parts and accessories should carry out repairs and maintenance of the device. **Do not attempt to repair the device yourself.**
- Do not use any accessory or spare parts that have not been recommended by the manufacturer. These can be dangerous for the user or lead to damages of the device or personal injury, and further, the warranty expires.
- To prevent hazards and to ensure optimum efficiency, no modifications or alterations to the device that are not explicitly approved by the manufacturer may be undertaken.



DANGER! Electric shock hazard!

To avoid effects of this risk, follow the safety instructions presented below:

- Never allow the power cable to come into contact with heat sources or sharp edges. The power cable should not hang over the side of the working surface. Ensure that no one can step on or trip over the cable.
- The power cable must not be folded, bent or tangled, and must always remain fully unrolled. Never place the device or other objects on the power cable.
- Do not cover the cable. Keep away the cable from operating range and do not immerse it into water.

- Check the power cord regularly for damage. Do not use the appliance if the power cord is damaged. If this cable is damaged, it must be replaced by customer service or a qualified electrician in order to avoid dangers.
- The supply cable must be disconnected from the socket only by pulling the plug.
- Never carry or lift the device by the supply cable.
- In any case do not open the device housing. In case of electrical or mechanical modifications the **electric shock hazard** will occur.
- Never immerse the appliance, the power cord and the power plug in water or other liquids.
- Do not use any acid agents and make sure no water ingresses the device.
- **Never** operate the device with moist hands or standing on wet floor.
- Remove the plug from its socket:
 - when the device is not used,
 - in case of anomalies during operation,
 - before cleaning.



WARNING! Microwave radiation hazard!

Exposure to microwave radiation may cause bodily injury.
To avoid effects of this risk, follow the safety instructions presented below:

- Do not turn the microwave oven on when the door is open, as an excess of damaging electromagnetic waves may be emitted by the device. **Never change the safety locks!**

- It is extremely important to not damage the door and that it can be closed properly. Example of damage to the door which may be unsafe include the following:
 1. warping and indentations,
 2. cracked and/or properly secured hinges and screws,
 3. damaged door seals,
 4. cracked glass pane,
 5. Damaged elements of the safety lock system
- The space between the door and the device must be free of foreign objects.
- Door seals must be tight and clean, as dirt and damage may allow electromagnetic waves to escape from the microwave oven. Take care to prevent buildup of any residues (e.g. cleaning agents, dust, grease, etc.).



HOT SURFACE! Burn hazard!

To avoid effects of this risk, follow the safety instructions presented below:

- The surface of the device may become very hot. Do not touch the hot surface of the device.
- Do not place any objects on the device.
- Do not place the microwave oven over the hob plate or any other device which generates heat because the microwave oven may be damaged due to the high temperature in which case the guarantee may be voided.



WARNING! Burn hazard!

To avoid effects of this risk, follow the safety instructions presented below:

- Do not fry any food products in the device. Hot oil can lead to skin burns or damage the device.
- Food products prepared in the device are heated unevenly. Also containers are usually hotter than the food products inside. **Carefully check the temperature of food products, in particular those prepared for children. Risk of burns!**
- During the heating of liquids in the microwave oven it is possible that the liquid may reach boiling temperature without externally visible bubbling. For this reason, special care must be taken when handling the container. Even a light bump, e.g. when removing the liquid from the device, may lead to spillage. **Risk of burns!**
- For that reason avoid using tall, narrow containers with a thin neck.
- Place a spoon (only in exceptional cases use a metallic one) or glass stirrer in the beverage, then place the dish in the center of the rotating tray. Stir the liquid prior to heating and after half the heating time has elapsed. After heating: wait for a moment, carefully stir the liquid, then remove from the cooking chamber.
- **As food prepared in the microwave is heated unevenly, the contents of children's bottles must be mixed thoroughly - optimally by shaking - then, before giving the bottle to the child, check the temperature of the food. Risk of burns! Prior to heating food remove the bottle cap and nipple!**



WARNING! Fire or explosion hazard!

To avoid the effects of this risk, follow the safety instructions presented below.

- Never heat any flammable objects in the device.
- Do not prepare any food products which contain alcohol.
- Do not place any objects inside the device (cookbooks, sponges, etc.). Sudden activation of the device can cause damage to such objects, and even burn them.
- When heating or cooking food products in containers from flammable materials such as plastic or paper, remain near the device as there is a risk of the device overheating.
- If objects in the device catch fire, leave the door closed, turn the device off and remove the plug from its socket OR flip the main circuit breaker switch.
- Do not use metallic pots, pans or covers. Metal may lead to sparks in the cooking chamber. Use only dishes resistant to high temperatures, designed for use in microwave ovens (see sec. 5.3 „Suitable dishes for use in the microwave oven“).

Risk of fire!

- Do not prepare food products and beverages in closed or sealed containers. Such containers may crack inside the device or injure the user when being opened!
- Do not use the device for preparation of fresh or hard-boiled eggs, either in shell or peeled, as eggs may explode.
- Food products with thick skins, such as potatoes, pumpkins, apples or chestnuts, should be pierced prior to heating.
- Do not place solutions inside containing water, oil or grease, as such a mixture may explode.

1.3 Proper use

The operational safety of the device is assured only in case of proper use, according to the operation manual.

All technical activities like installation and maintenance must be performed by the qualified service personnel only.

The device is intended for home use or in similar places such as:

- in kitchens for store or office employees or in similar business areas;
- in agricultural farms;
- by guests of hotels, motels and other typical places of accomodation;
- in Bed and Breakfast facilities.

The microwave oven is intended only for heating of food products using appropriate dishes.

The microwave oven cannot be used for:

- industrial and laboratory purposes;
- storage of kitchen utensils and dishes;
- drying paper, textiles and other flammable materials;
- heating of fluids and/or flammable materials, substances damaging to health, and substances easily vaporizing and/or other similar materials.



CAUTION!

Any use going beyond the intended purpose and/or any different use of the device is forbidden and is not considered as conventional.

Any claims against the manufacturer or his authorized representative as a consequence of experiencing damages resulting from unconventional use are impossible.

The operator is liable for all damages resulting from inappropriate use.

2. General information

2.1 Liability and Warrantees

All the information and instructions in this manual take into account standard safety regulations, current levels of technical engineering as well as the expertise and experience we have developed over the years.

The instruction manual was translated with all due care and attention. However, we do not accept liability for any translation errors. The German version of this instruction manual is definitive.

If the delivery consists of a special model, the actual scope of delivery may differ from the descriptions and illustrations in this manual. This is also the case for special orders or when the device has been modified in line with new technology.



CAUTION!

Read this manual carefully and thoroughly before any operation of the device, and especially before turning it on!

Manufacturer **is not liable** for any damages or faults caused by:

- violation of advice concerning operation and cleaning;
- use other than designed;
- alterations made by user;
- use of inadequate spare parts.

We reserve the right to make technical changes for purposes of developing and improving the useful properties.

2.2 Copyright protection

The instruction manual including any texts, drawings, images or other illustrations is copyright. No part of this publication may be reproduced, transmitted or used in any form or by any means without permission in writing from the manufacturer. Any person who commits any unauthorized act in relation to this publication shall be liable to claims for damages. All rights reserved.



NOTE!

The contents, texts, drawings, pictures and any other illustrations are copyright and subject to other protection rights. Any person unlawfully using this publication is liable to criminal prosecution.

2.3 Declaration of conformity



The device complies with the current standards and directives of the EU. We certify this in the EC declaration of conformity. If required we will be glad to send you the according declaration of conformity.

3. Transport, packaging and storage

3.1 Delivery check

Please check the delivery upon completeness and transport damage immediately after receipt. In case of visible damage do not accept or accept the delivery with reservation only.

Note the extent of damage on the carrier's bill of delivery. Trigger off the complaint.

Hidden damages should be reclaimed immediately after notice, as claims for damages can only be asserted within the effective period for complaints.

3.2 Packaging

Please do not throw away the covering carton of your device as it might be useful for storage purposes, when moving or, in case of damages, when the device must be sent back to a repair center. The outer and inner packing material should be removed completely from the device before installation.



If you liked to dispose the packing, consider the regulations applicable in your country. Supply re-usable packing materials to the recycling.

Please inspect the device upon completeness. In case any part is missing please contact our customer service center immediately.

3.3 Storage

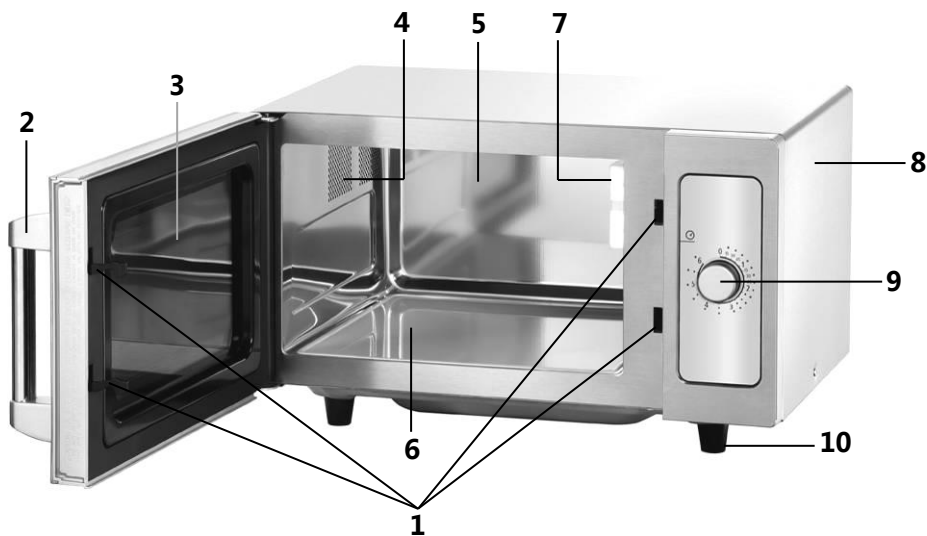
Keep the package closed until installation and under consideration of the outside indicated positioning- and storage markings.

Packages should be stored under consideration of the following:

- do not store outdoors,
- keep it dry and dust-free,
- do not expose it to aggressive media,
- do not expose it to direct sunlight,
- avoid mechanical shocks and vibration,
- in case of longer storage (> 3 months) make sure you check the state of the packaging and the parts regularly, if required refresh or renew.

4. Technical data

4.1 Overview of parts



- 1** Safety lock system
- 2** Door handle
- 3** Glass door
- 4** Ventilation holes
- 5** Cooking chamber
- 6** Bottom of the cooking chamber
- 7** Interior lighting
- 8** Housing
- 9** Timer
- 10** Feet (4)

4.2 Technical specification

Name	Microwave oven 10250M
Code-No.:	610184
Material:	Housing and cooking chamber: stainless steel
Design:	<ul style="list-style-type: none">▪ Function: heating▪ Control dial▪ LED display▪ Interior lighting
Microwave power output:	1 kW
Power levels:	1
Number of magnetrons:	1
Manual timer:	15 seconds up to 6 minutes
Power:	1.55 kW / 230 V 50 Hz
Capacity:	25 litres
Dimensions:	Chamber: W 310 x D 325 x H 200 mm Exterior: W 515 x D 435 x H 310 mm
Weight:	15.2 kg

We reserve the right to make technical changes!

5. Installation and operation

5.1 Installation

Positioning

- Unpack the device and remove the packing material.

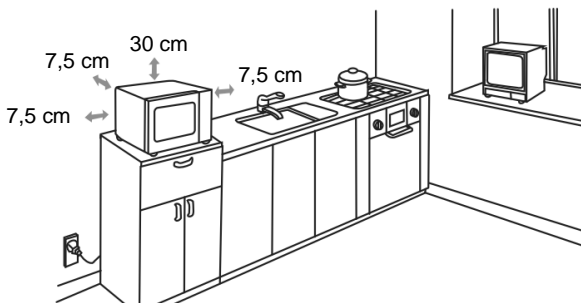


CAUTION!

Never remove the nameplate and warning signs from the device.

- Place the device on a flat, stable surface which can support the weight of a microwave oven.
- Do not place the device near flammable materials, avoid high temperatures, moisture and high humidity.

- **Never** place the device on a flammable surface.
- To ensure proper functioning, the device must have sufficient ventilation. For this reason, it is necessary to maintain the following **safe distances** (see figure below):



- **above the device: 30 cm**
- **at the rear: 7.5 cm**
- **at the sides: 7.5 cm**

- **Never** block the ventilation holes. **Never** disassemble the device's feet.
- The device must maintain a **minimum distance of 2m** from radios, television sets, etc. in order to avoid interference with the signal reception.
- Position the devices so that the plug is easily accessible and if necessary can be easily removed from its socket.

Connection



DANGER! Electric shock hazard!

The device can cause injuries due to improper installation! Before installation and connecting the local power grid specification should be compared with that of the device (see rating plate). Connect the device only in case of compliance!

- The electrical circuit in the socket must be secured to at least 16A (automatic fuse B). Connect the device only to the wall socket; do not use any extension cords or power strips.
- This device must be grounded. In case of short-circuit the grounding will protect against electric shock, because the electrical current will be released through an additional wire. The device is equipped with a power cord with the grounding wire and a plug with a safety contact. Connect the plug to the properly installed and grounded socket.

5.2 Guidelines for cooking with the microwave oven

Instead of traditional heat sources, a microwave oven applies an electron lamp which emits electromagnetic waves. These waves, like radio waves, are invisible but their effects can be observed. Such waves can pass through materials such as glass, porcelain, artificial materials and paper. As these materials do not contain water, grease or oil, they are not heated by the microwaves. Simply put, the microwaves directly reach the food product, causing molecules of water, grease and oil to vibrate; friction results in the creation of heat which is used for defrosting, heating or cooking. During cooking with microwaves, heat remains inside the product being prepared, in opposition to the processes of boiling or grilling in which heat enters the food from the outside. If the device is not damaged, energy created by the microwaves remains inside the device and does not pose a threat to the user.

- Carefully place food products to be cooked inside the microwave oven, with larger pieces at the outer edges.
- Remember the cooking time. It is best to at first set the shortest possible time and then lengthen cooking time as necessary. Excessive cooking time may cause the food product to smoke or catch fire.
- Cover food products during cooking. This will ensure even cooking and prevent splattering.
- Turn food products over while cooking. This will speed up the process of cooking such products as chicken or hamburgers. Large products, such as a roast, should be turned over at least once.
- Such dishes as dumplings should, after half of the cooking time has elapsed, be turned over, moved from the top to bottom, moved from the outside to the inside, etc.

5.3 Suitable dishes for use in the microwave oven

1. Check that a dish is suitable to be used in a microwave oven.

Test: place the empty dish together with a glass of water, then heat at the highest power level for 60 seconds. **Never switch the device on when empty or with only an empty container inside.** An appropriate dish will be lukewarm. If the dish is hot, it is not appropriate for use in the microwave oven.

2. Proper materials for dishes for the microwave oven allow microwaves to pass through. Energy goes through the container and heats the food product.
3. Do not use metallic containers or containers containing metallic parts (e.g. gold strips around the edge of a plate). Microwaves do not pass through metal.
4. Do not use products from recycled materials, as they may contain small pieces of metal. If such containers are used, sparks and even fire may result.
5. Dishes of oval and round shapes should be used, as food products cook more quickly in the corners of square-shaped containers.

- Wide, flat containers are best suited to use in the microwave oven as compared to narrow and tall ones. Food products cook evenly in flat dishes.
- To avoid food from baking onto the edge of dishes, you may cover the edges with thin strips of aluminum foil. Do not use too much aluminum foil, and leave a minimum distance of 2.5 to 3.0 cm between the foil and walls of the microwave oven's cooking chamber.
- The table below will help you in selecting the proper dishes:

Dishes/containers for cooking	Suitable for microwave oven
Tempered baking glass, ceramics, porcelain	yes
Glass, ceramic, porcelain not resistant to high temperatures	no
Tempered ceramic glass	yes
Plastic dishes suitable for use in microwave ovens	yes
Metal dishes, dishes with metallic elements (e.g. gold lining)	no
Aluminum foil & foil containers	no

5.4 Operation

Before the first use

- Prior to the first use, clean the device so that the remnants of packing material do not affect the taste of food products.
- Wipe the interior and exterior of the device with a soft, moist cloth and dry thoroughly afterwards.
- Leave the door open so that the cooking chamber can dry thoroughly.


Heating of food



CAUTION!

**Never activate the microwave oven without food products.
This may damage the device.**

- Open the door and place the dish with food inside the device.
- During heating larger quantities of food cut into pieces, make sure they are evenly distributed in the dish so that they do not touch one another.

3. Close the door and check the door seals for contamination and check whether the door close properly.
4. Using the timer dial  set the desired cooking time within the range from 15 seconds to 6 minutes. The selected cooking time is indicated by LED indicators.

**NOTE!**



The device starts working with full power as soon as the cooking time is set!

5. LED indicators show the remaining cooking time.
6. After the set cooking time has expired an alarm will sound, the microwave oven is turned off automatically and the timer returns to „0“ position.

Cooking time depends on the following characteristics of food products:

Initial temperature:	the lower the initial temperature, the longer the cooking time
Thickness:	the thicker the food product, the longer the cooking time
Water content:	the drier the food product, the longer the cooking time
Form:	the more compact the food product, the longer the cooking time
Weight:	the heavier the food product, the longer the cooking time

Stopping the heating process during operation

1. Open the door, the heating process is stopped.
2. Microwave oven can be switched on again by closing the door and turning the timer dial .
3. During the heating process, you may freely change the cooking time using the timer dial .
4. After setting the timer in „0“ position, the heating process will be finished and the audio alarm will sound.
5. Open the door using the door handle and remove food products.

**WARNING! Danger of burns!**

Dishes used for cooking may become very hot, as the heat is dissipated from food products. Use protective gloves or towel when removing dishes.



CAUTION!

If the device is switched on, keep it under constant supervision! In the event of strange noises, if food products start bubbling and the liquid starts boiling, switch the device off!

6. Cleaning



WARNING!

Disconnect the device from the power supply (pull the plug from the socket!) before cleaning.

**The device is not designed for direct washing via water jets!
Make sure no water gets into the device.**

Important tips

- Clean the device regularly. If the device is not kept clean, this may affect the durability of the device and has a negative impact on its operation and lead to accumulation of fungi and bacteria.
- Immediately remove any remnants of food and beverages from the walls of the internal chamber of the device with a moist cloth. If you wait too long, the cleaning may become difficult and in extreme cases not possible at all. Excessive contamination may lead to damaging of the device.
- Do not use hard and sharp objects to remove dry dirt.
- Avoid using sprays and other aggressive cleaning agents (e.g. oven cleaners), as such chemicals may leave stains or even damage the surface of the device.

Cleaning

- Wipe the interior walls and bottom of the cooking chamber with warm water and soft cloth.
- Clean the exterior surface with a moist cloth. To protect the parts located inside the device from damage do not allow water to seep through the ventilation holes into the interior of the device.
- Clean the door, door seals and other adjacent elements with a moist cloth to remove the entire dirt. Do not use any aggressive cleaning agents.

- Do not get the control panel overly wet. Clean it with a soft, moist cloth. Do not close the door while cleaning the control panel to avoid accidental switching the device on.
- If condensation forms on the inside or outside of the door, remove it with a soft cloth. The condensation forms when the microwave oven is operated in high humidity environment. This is a normal occurrence.
- Unpleasant odours can be removed from the device by placing a glass of water with lemon juice and lemon peel in a container designed for use in microwave ovens and heating it for approx. 5 minutes. Afterwards, wipe the device thoroughly with a soft, dry cloth.
- When cleaning use only soft cloths and **never** use scouring pads which may scratch the surface of the device.
- After cleaning the device, wipe its surface dry and polish with a soft, dry cloth.

Storing the device

- If the device is not used for a longer time, clean the device according to the above mentioned instructions and store it in a dry, clean place protected against frost, sun and children. Do not place any heavy objects on the device.

7. Possible Malfunctions

If the microwave oven fails to function:

1. Check that it has been properly plugged in. Remove the plug from its socket and wait approx. 10 seconds, then reinsert it into the socket.
2. Check that a circuit breaker or the main circuit has not been disconnected. If they are functioning properly, check the connection using other electronic appliances.
3. Check that the door is closed properly (safety lock). If it is not, to ensure safety microwaves will not be formed inside the cooking chamber.

If you cannot remove the malfunctions:

- do not open the body,
- notify the customer service point or contact the sales agent, while providing the following information:
 - type of malfunction;
 - article and serial number (rating plate at the rear of the device);
 - date of purchase.

8. Waste disposal

Old devices



The electric devices are marked with this symbol. You must not dispose of electric devices with household waste. When the device may not be longer used each consumer is obliged to dispose of the device at the dedicated local collection point, separately from household waste.

NOTE!

Electric devices should be used and disposed of properly to prevent the impact on the environment.

- Disconnect the device from the power supply and remove the power cord from the device.