

21170D



610189

**ENGLISH**

**Table of contents**

**1. Safety ..... 34**  
1.1 Key to symbols ..... 34  
1.2 Safety instructions ..... 35  
1.3 Proper use ..... 40

**2. General information ..... 41**  
2.1 Liability and Warrantees ..... 41  
2.2 Copyright protection ..... 41  
2.3 Declaration of conformity ..... 41

**3. Transport, packaging and storage..... 42**  
3.1 Delivery check ..... 42  
3.2 Packaging..... 42  
3.3 Storage..... 42

**4. Technical data ..... 43**  
4.1 Overview of parts ..... 43  
4.2 Functions of display and buttons ..... 44  
4.3 Technical specification ..... 46

**5. Installation and operation..... 47**  
5.1 Installation ..... 47  
5.2 Guidelines for cooking with the microwave oven ..... 48  
5.3 Suitable dishes for use in the microwave oven..... 49  
5.4 Operation..... 50

**6. Cleaning ..... 61**

**7. Possible Malfunctions ..... 63**

**8. Waste disposal ..... 64**

Bartscher GmbH  
Franz-Kleine-Str. 28  
33154 Salzkotten  
Germany

phone: +49 (0) 5258 971-0  
fax: +49 (0) 5258 971-120



**Read this instruction manual before using and keep them available at all times!**

This instruction manual contains information about the installation, operation and maintenance of the device and should be consulted as an important source of information and reference guide.

Awareness of the safety instructions and instructions for use in this manual will ensure the safe and correct use of the device.

In addition to the information given here, you should comply with any local Health and safety Controls and generally applicable safety regulations.

The instruction manual forms part of the product and should be kept near the device and easily accessible for anyone carrying out the installation, servicing, maintenance or cleaning.

Please keep these instructions and give them to future owners of the device.

## 1. Safety

This device is designed in accordance with the presently applicable technological standards. However, the device can pose a danger if handled improperly and inappropriately.

All persons using the device must follow the recommendations and instructions in this instruction manual.

### 1.1 Key to symbols

In this manual, symbols are used to highlight important safety instructions and any advice relating to the device. The instructions should be followed very carefully to avoid any risk of accident, personal injury or material damage.



**WARNING!**

This symbol highlights hazards which could lead to injury.



**WARNING!**

This symbol highlights dangerous situations which could lead to injury or death.



**HOT SURFACE!**

This symbol is a warning that the device surface is hot when in use. Ignoring this warning may result in burns!



### CAUTION!

This symbol highlights dangerous situations which could lead to light injuries, or damage, malfunction, and/or destruction of the device.



### NOTE!

This symbol highlights recommendations and information aimed for effective and trouble-free device operation.

## 1.2 Safety instructions

- The device can be used by children **8 years and up**, as well as by people with disabilities and those with limited experience/knowledge as long as they are under supervision or have been instructed on proper use of the device and its possible dangers. **Children** should not play with the device. Cleaning and **maintenance cannot be performed by children** younger than 8 years old and must be done under supervision. **Children under the age of 8 years old** must be kept away from the device and its power cord.
- **Never** leave the device unattended when in use.
- Only use the device indoors.
- This device may only be operated in technically proper and safe condition.
- Never use the device when empty. The device may be damaged.
- Prevent access of children to the package materials like plastic bags and foamed polystyrene elements. **Suffocation hazard!**
- Only a qualified technician and using original spare parts and accessories should carry out repairs and maintenance of the device. **Do not attempt to repair the device yourself.**
- Do not use any accessory or spare parts that have not been recommended by the manufacturer. These can be dangerous for the user or lead to damages of the device or personal injury, and further, the warranty expires.

- To prevent hazards and to ensure optimum efficiency, no modifications or alterations to the device that are not explicitly approved by the manufacturer may be undertaken.



## **DANGER! Electric shock hazard!**

To avoid effects of this risk, follow the safety instructions presented below:

- Never allow the power cable to come into contact with heat sources or sharp edges. The power cable should not hang over the side of the working surface. Ensure that no one can step on or trip over the cable.
- The power cable must not be folded, bent or tangled, and must always remain fully unrolled. Never place the device or other objects on the power cable.
- Do not lay the power cable over carpets or other inflammable materials. Do not cover the cable. Keep away the cable from operating range and do not immerse it into water.
- Check the power cord regularly for damage. Do not use the appliance if the power cord is damaged. If this cable is damaged, it must be replaced by customer service or a qualified electrician in order to avoid dangers.
- The supply cable must be disconnected from the socket only by pulling the plug.
- Never carry or lift the device by the supply cable.
- In any case do not open the device housing. In case of electrical or mechanical modifications the **electric shock hazard** will occur.
- Never immerse the appliance, the power cord and the power plug in water or other liquids.

- Do not use any acid agents and make sure no water ingresses the device.
- **Never** operate the device with moist hands or standing on wet floor.
- Remove the plug from its socket:
  - when the device is not used,
  - in case of anomalies during operation,
  - before cleaning.



**WARNING! Microwave radiation hazard!**

Exposure to microwave radiation may cause bodily injury. To avoid effects of this risk, follow the safety instructions presented below:

- Do not turn the microwave oven on when the door is open, as an excess of damaging electromagnetic waves may be emitted by the device. **Never change the safety locks!**
- It is extremely important to not damage the door and that it can be closed properly. Example of damage to the door which may be unsafe include the following:
  1. warping and indentations,
  2. cracked and/or properly secured hinges and screws,
  3. damaged door seals,
  4. cracked glass pane,
  5. Damaged elements of the safety lock system
- The space between the door and the device must be free of foreign objects.

- Door seals must be tight and clean, as dirt and damage may allow electromagnetic waves to escape from the microwave oven. Take care to prevent buildup of any residues (e.g. cleaning agents, dust, grease, etc.).



## **HOT SURFACE! Burn hazard!**

To avoid effects of this risk, follow the safety instructions presented below:

- The surface of the device may become very hot. Do not touch the hot surface of the device.
- Do not place any objects on the device.
- Do not place the microwave oven over the hob plate or any other device which generates heat because the microwave oven may be damaged due to the high temperature in which case the guarantee may be voided.



## **WARNING! Burn hazard!**

To avoid effects of this risk, follow the safety instructions presented below:

- Do not fry any food products in the device. Hot oil can lead to skin burns or damage the device.
- Food products prepared in the device are heated unevenly. Also containers are usually hotter than the food products inside. **Carefully check the temperature of food products, in particular those prepared for children. Risk of burns!**
- During the heating of liquids in the microwave oven it is possible that the liquid may reach boiling temperature without externally visible bubbling. For this reason, special care must be taken when handling the container. Even a light bump, e.g. when removing the liquid from the device, may lead to spillage. **Risk of burns!**

- For that reason avoid using tall, narrow containers with a thin neck.
- Place a spoon (only in exceptional cases use a metallic one) or glass stirrer in the beverage, then place the dish in the center of the rotating tray. Stir the liquid prior to heating and after half the heating time has elapsed. After heating: wait for a moment, carefully stir the liquid, then remove from the cooking chamber.
- **As food prepared in the microwave is heated unevenly, the contents of children's bottles must be mixed thoroughly - optimally by shaking – then, before giving the bottle to the child, check the temperature of the food. Risk of burns! Prior to heating food remove the bottle cap and nipple!**



**WARNING! Fire or explosion hazard!**

To avoid the effects of this risk, follow the safety instructions presented below.

- Never heat any flammable objects in the device.
- Do not prepare any food products which contain alcohol.
- Do not place any objects inside the device (cookbooks, sponges, etc.). Sudden activation of the device can cause damage to such objects, and even burn them.
- When heating or cooking food products in containers from flammable materials such as plastic or paper, remain near the device as there is a risk of the device overheating.
- If objects in the device catch fire, leave the door closed, turn the device off and remove the plug from its socket OR flip the main circuit breaker switch.
- Do not use metallic pots, pans or covers. Metal may lead to sparks in the cooking chamber. Use only dishes resistant to high temperatures, designed for use in microwave ovens (sec. **5.3 „Suitable dishes for use in the microwave oven“**). **Risk of fire!**



- Do not prepare food products and beverages in closed or sealed containers. Such containers may crack inside the device or injure the user when being opened!
- Do not use the device for preparation of fresh or hard-boiled eggs, either in shell or peeled, as eggs may explode.
- Food products with thick skins, such as potatoes, pumpkins, apples or chestnuts, should be pierced prior to heating.
- Do not place solutions inside containing water, oil or grease, as such a mixture may explode.

## 1.3 Proper use

The operational safety of the device is assured only in case of proper use, according to the operation manual.

All technical activities like installation and maintenance must be performed by the qualified service personnel only.

The device is intended for home use or in similar places such as:

- in kitchens for store or office employees or in similar business areas;
- in agricultural farms;
- by guests of hotels, motels and other typical places of accomodation;
- in Bed and Breakfast facilities.

**The microwave oven** is intended only for heating and defrosting of food products using appropriate dishes.

**The microwave oven cannot** be used for:

- industrial and laboratory purposes;
- storage of kitchen utensils and dishes;
- drying paper, textiles and other flammable materials;
- heating of fluids and/or flammable materials, substances damaging to health, and substances easily vaporizing and/or other similar materials.



### **CAUTION!**

**Any use going beyond the intended purpose and/or any different use of the device is forbidden and is not considered as conventional.**

**Any claims against the manufacturer or his authorized representative as a consequence of experiencing damages resulting from unconventional use are impossible.**

**The operator is liable for all damages resulting from inappropriate use.**

## 2. General information

### 2.1 Liability and Warrantees

All the information and instructions in this manual take into account standard safety regulations, current levels of technical engineering as well as the expertise and experience we have developed over the years.

The instruction manual was translated with all due care and attention. However, we do not accept liability for any translation errors. The German version of this instruction manual is definitive.

If the delivery consists of a special model, the actual scope of delivery may differ from the descriptions and illustrations in this manual. This is also the case for special orders or when the device has been modified in line with new technology.



#### **CAUTION!**

**Read this manual carefully and thoroughly before any operation of the device, and especially before turning it on!**

Manufacturer **is not liable** for any damages or faults caused by:

- violation of advice concerning operation and cleaning;
- use other than designed;
- alterations made by user;
- use of inadequate spare parts.

We reserve the right to make technical changes for purposes of developing and improving the useful properties.

### 2.2 Copyright protection

The instruction manual including any texts, drawings, images or other illustrations is copyright. No part of this publication may be reproduced, transmitted or used in any form or by any means without permission in writing from the manufacturer. Any person who commits any unauthorized act in relation to this publication shall be liable to claims for damages. All rights reserved.



#### **NOTE!**

**The contents, texts, drawings, pictures and any other illustrations are copyright and subject to other protection rights. Any person unlawfully using this publication is liable to criminal prosecution.**

### 2.3 Declaration of conformity



The device complies with the current standards and directives of the EU. We certify this in the EC declaration of conformity. If required we will be glad to send you the according declaration of conformity.

## 3. Transport, packaging and storage

### 3.1 Delivery check

Please check the delivery upon completeness and transport damage immediately after receipt. In case of visible damage do not accept or accept the delivery with reservation only.

Note the extent of damage on the carrier's bill of delivery. Trigger off the complaint.

Hidden damages should be reclaimed immediately after notice, as claims for damages can only be asserted within the effective period for complaints.

### 3.2 Packaging

Please do not throw away the covering carton of your device as it might be useful for storage purposes, when moving or, in case of damages, when the device must be sent back to a repair center. The outer and inner packing material should be removed completely from the device before installation.



#### **NOTE!**

**If you liked to dispose the packing, consider the regulations applicable in your country. Supply re-usable packing materials to the recycling.**

Please inspect the device upon completeness. In case any part is missing please contact our customer service center immediately.

### 3.3 Storage

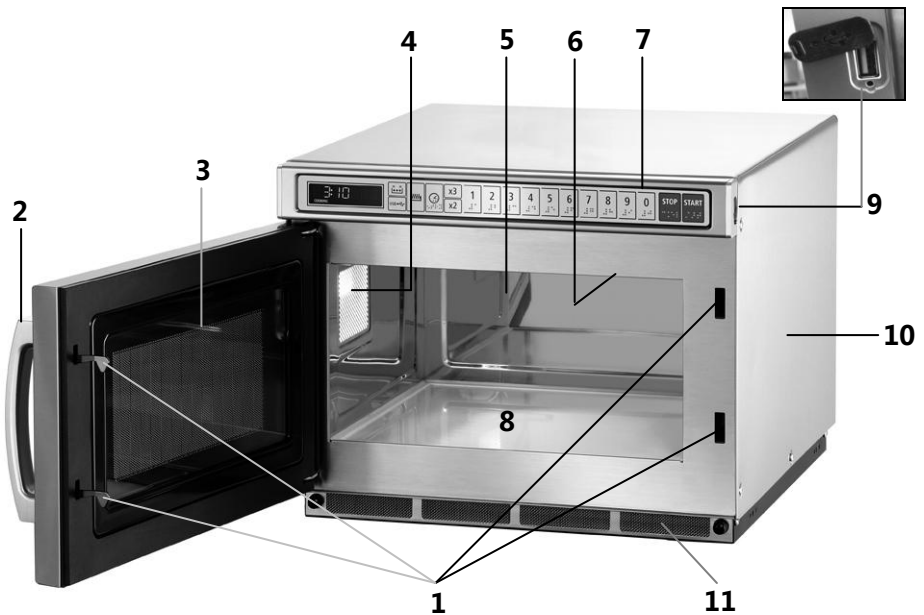
Keep the package closed until installation and under consideration of the outside indicated positioning- and storage markings.

Packages should be stored under consideration of the following:

- do not store outdoors.
- keep it dry and dust-free.
- do not expose it to aggressive media.
- do not expose it to direct sunlight.
- avoid mechanical shocks and vibration.
- in case of longer storage (> 3 months) make sure you check the state of the packaging and the parts regularly.  
If required refresh or renew.

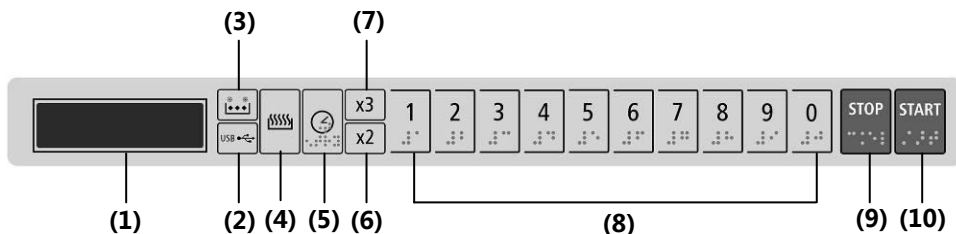
## 4. Technical data

### 4.1 Overview of parts



- 1** Safety lock system
- 2** Door handle
- 3** Glass door
- 4** Cooking compartment lighting
- 5** Cooking compartment
- 6** Upper anti-splash cover
- 7** Control panel
- 8** Cooking compartment ceramic bottom
- 9** USB port
- 10** Housing
- 11** Filter

## 4.2 Functions of display and buttons



- (1) Digital display
- (2) USB memory button
- (3) Defrosting program button
- (4) Power level selection button
- (5) Manual time adjustment button
- (6) Button **x2**
- (7) Button **x3**
- (8) (10) Numeric buttons
- (9) **STOP** button
- (10) **START** button

- (1) The **digital display** shows the preset cooking time and power level, as well as selected cooking programs, options, current mode.

Example: **5:5 20** (5 min: 5 seconds 20% of power)

- (2) **USB button**

That button updates data on pendrive.

- (3) **Defrosting program** button

That button selects and starts the defrosting program.

**(4) Power level selection** button

That button switches to the power level selection in the manual entering mode or programming mode. The power levels are assigned to the individual numeric buttons and may be selected by pressing such button.

**(5) Manual time setting**

That button is used for manual setting of required cooking time.

Its pressing switches to further cooking levels during the multi-level cooking program.

**(6) Button x2**

That button increases cooking time.

**(7) Button x3**

That button increases cooking time.

**(8) (10) Numeric buttons**

Those buttons allow for starting the cooking programs, saved in the programming mode.

In the manual entering mode they allow for selecting the power levels.

**(9) STOP** button

That button is used for interrupting or resetting the current cooking program. Pressing it allows for switching to the successive modes.

**(10) START** button

Pressing it allows for starting the cooking program, settings are saved in the programming mode.

### 4.3 Technical specification

<b>Name</b>	<b>Microwave oven 21170D</b>
Code- no.:	<b>610189</b>
Material:	Housing and cooking chamber: stainless steel
Realization:	<ul style="list-style-type: none"><li>▪ functions: heating, defrosting</li><li>▪ preset cooking programs: 100</li><li>▪ control: electronic</li><li>▪ digital display</li><li>▪ interior lighting</li><li>▪ tactile buttons</li></ul>
Microwave power output:	2.1 kW
Power levels:	10
Number of magnetrons:	2
Timer:	digital
Time adjustment	up to 60 minutes (10 presets + manual settings)
Programs for setting:	10, optionally from USB memory
Power supply:	3.2 kW / 230 V 50 Hz
Capacity:	17 litres
Dimensions:	Cooking compartment: W 330 x D 308 x H 160 mm Device: W 420 x D 555 x H 340 mm
Weight:	31.75 kg

We reserve the right to make technical changes!

## 5. Installation and operation

### 5.1 Installation

#### Positioning

- Unpack the device and remove the packing material.

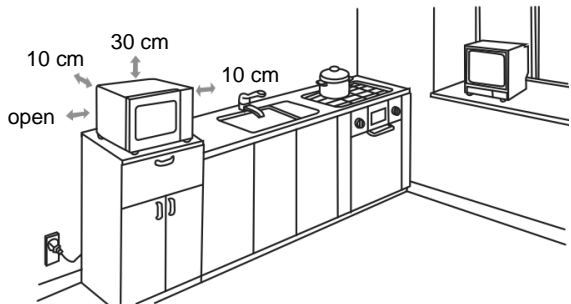


#### CAUTION!

**Never remove the nameplate and warning signs from the device.**

- Place the device on a flat, stable surface which can support the weight of a microwave oven.
- Do not place the device near flammable materials, avoid high temperatures, moisture and high humidity.
- **Never** place the device on a flammable surface.
- To ensure proper functioning, the device must have sufficient ventilation. For this reason, it is necessary to maintain the following **safe distances** (see figure below):

- **above the device: 30 cm**
- **at the rear: 10 cm**
- **on the right: 10 cm**
- **leave free on the left side**



- Do not place any objects on the left side of the device in order to ensure sufficient air ventilation.
- **Never** block the ventilation holes.
- The device must maintain a **minimum distance of 2m** from radios, television sets, etc. in order to avoid interference with the signal reception.
- Position the devices so that the plug is easily accessible and if necessary can be easily removed from its socket.



## Connection



### **DANGER! Electric shock hazard!**

**The device can cause injuries due to improper installation! Before installation and connecting the local power grid specification should be compared with that of the device (see rating plate). Connect the device only in case of compliance!**

- The electrical circuit in the socket must be secured to at least 16A (automatic fuse B). Connect the device only to the wall socket; do not use any extension cords or power strips.
- This device must be grounded. In case of short-circuit the grounding will protect against electric shock, because the electrical current will be released through an additional wire. The device is equipped with a power cord with the grounding wire and a plug with a safety contact. The power supply plug must be connected to earthed socket, conforming to the valid regulations.

## **5.2 Guidelines for cooking with the microwave oven**

The microwave oven has the magnetron emitting the electromagnetic waves in place of common heat source. These waves, like radio waves, are invisible but their effects can be observed. Such waves can pass through materials such as glass, porcelain, artificial materials and paper. As these materials do not contain water, grease or oil, they are not heated by the microwaves. Simply put, the microwaves directly reach the food product, causing molecules of water, grease and oil to vibrate; friction results in the creation of heat which is used for defrosting, heating or cooking. During cooking with microwaves, heat remains inside the product being prepared, in opposition to the processes of boiling or grilling in which heat enters the food from the outside. If the device is not damaged, energy created by the microwaves remains inside the device and does not pose a threat to the user.

- Carefully place food products to be cooked inside the microwave oven, with larger pieces at the outer edges.
- Remember the cooking time. It is best to at first set the shortest possible time and then lengthen cooking time as necessary. Excessive cooking time may cause the food product to smoke or catch fire.
- Cover food products during cooking. This will ensure even cooking and prevent splattering.
- Turn food products over while cooking. This will speed up the process of cooking such products as chicken or hamburgers. Large products, such as a roast, should be turned over at least once.
- Such dishes as dumplings should, after half of the cooking time has elapsed, be turned over, moved from the top to bottom, moved from the outside to the inside, etc.

## 5.3 Suitable dishes for use in the microwave oven

1. Check that a dish is suitable to be used in a microwave oven.

**Test:** place the empty dish together with a glass of water, then heat at the highest power level for 60 seconds. **Never switch the device on when empty or with only an empty container inside.** An appropriate dish will be lukewarm. If the dish is hot, it is not appropriate for use in the microwave oven.

2. Proper materials for dishes for the microwave oven allow microwaves to pass through. Energy goes through the container and heats the food product.
3. Do not use metallic containers or containers containing metallic parts (e.g. gold strips around the edge of a plate). Microwaves do not pass through metal.
4. Do not use products from recycled materials, as they may contain small pieces of metal. If such containers are used, sparks and even fire may result.
5. Dishes of oval and round shapes should be used, as food products cook more quickly in the corners of square-shaped containers.
6. Wide, flat containers are best suited to use in the microwave oven as compared to narrow and tall ones. Food products cook evenly in flat dishes.
7. To avoid food from baking onto the edge of dishes, you may cover the edges with thin strips of aluminum foil. Do not use too much aluminum foil, and leave a minimum distance of 2.5 to 3.0 cm between the foil and walls of the microwave oven's cooking chamber.
8. The table below will help you in selecting the proper dishes:

Dishes/containers for cooking	Suitable for microwave oven
Tempered baking glass, ceramics, porcelain	yes
Glass, ceramic, porcelain not resistant to high temperatures	no
Tempered ceramic glass	yes
Plastic dishes suitable for use in microwave ovens	yes
Metal dishes, dishes with metallic elements (e.g. gold lining)	no
Aluminum foil & foil containers	no

## 5.4 Operation

### Before the first use

- Prior to the first use, clean the device so that the remnants of packing material do not affect the taste of food products.
- Wipe the interior and exterior of the device with a soft, moist cloth and dry thoroughly afterwards.
- Leave the door open so that the cooking chamber can dry thoroughly.

### Connecting of the device

- When the device is connected to the power supply for the first time, the digital display shows voltage 3 times and no values are shown.
- After pressing “**STOP**” the device switches to the stand-by mode.

**Hint:** No settings may be made in that mode.

**Table 1            User options**

**Hint:** **bold** values in the table are **the factory default values**.

Button / option	Settings	Description
<b>1</b> Sound effects	<b>OP:10</b>	<b>3-second acoustic signal</b>
	OP:11	Continuous acoustic signal
	OP:12	5 short acoustic signals, repeated
<b>2</b> Acoustic signal - volume	OP:20	Acoustic signal off
	OP:21	Low
	<b>OP:22</b>	<b>Medium</b>
	OP:23	High
<b>3</b> Buttons acoustic signal on/off	OP:30	Buttons acoustic signal off
	<b>OP:31</b>	<b>Buttons acoustic signal on</b>
<b>4</b> Buttons / indicators	OP:40	15 seconds
	OP:41	30 seconds
	<b>OP:42</b>	<b>60 seconds</b>
	OP:43	120 seconds

Button / option	Settings	Description
<b>5</b> Quick start	OP:50	Inactive
	<b>OP:51</b>	<b>Active</b>
<b>6</b> Door reset	<b>OP:60</b>	<b>Inactive</b>
	OP:61	Active
<b>7</b> Max. cooking time	<b>OP:70</b>	<b>60 minutes</b>
	OP:71	10 minutes
<b>8</b> Manual programming	OP:80	Manual programming inactive
	<b>OP:81</b>	<b>Manual programming active</b>
<b>9</b> Two-digit programming range	<b>OP:90</b>	<b>One-digit 10-programming mode</b>
	OP:91	Two-digit 100-programming mode
<b>0</b> Filter cleaning	OP:00	No filter cleaning message
	OP:01	Message – cleaning every week (every 7 days)
	<b>OP:02</b>	<b>Message – cleaning every month (every 30 days)</b>
	OP:03	Message – cleaning every quarter (every 90 days)

**Table 2 Preset cooking / defrosting time**

The microwave oven is delivered with the following preset cooking times:

Button	Digital display (time) Minutes:Seconds	Power	Cooking coefficient
<b>1</b>	00:10	100%	80%
<b>2</b>	00:20	100%	80%
<b>3</b>	00:30	100%	80%
<b>4</b>	00:45	100%	80%
<b>5</b>	01:00	100%	80%
<b>6</b>	01:30	100%	80%
<b>7</b>	02:00	100%	80%
<b>8</b>	02:30	100%	80%
<b>9</b>	03:00	100%	80%
<b>0</b>	03:30	100%	80%

## Settings

### Standby mode

- When no button is pressed and oven door is not opened or closed, the device changes after time set in **OP 4** (buttons/display) (preset to 60 seconds) to the ready mode.

**Hint:** Follow the table 1 “**User options**” on pages 50-51.

- In the standby mode the digital display shows no values. No device functions are active.
- When the device door is opened and closed, it leaves the stand-by mode and returns to the ready mode.

**Hint:** when one of control panel buttons is pressed in the stand-by mode, it will not work. When “**STOP**” is pressed and hold, the acoustic signal is emitted. No device functions are activated.

### Ready mode

- In that mode the device is ready to realize the preset or manually set cooking cycle.
- The device switches to the ready mode after door opening and closing.
- When the device is in the ready mode, the digital display shows “**READY**”.
- The device may be switched to almost all other modes from the ready mode.

### “Open door” mode

- When the oven door is opened, the device is in the open door mode.
- When the device is in that ready mode, the digital display shows no values. When the device door is opened during cooking, the digital display shows “**DOOR**” and “**OPEN**” once, then the remaining cooking time is displayed. Only fans and lighting are active.
- When the oven door is closed, the device switches to the ready mode again.

**Hint:** When the oven door is opened and **OP 60** is selected (inactive door reset), the device is ready for preset or manually set cooking cycle. The device switches to the pause mode.



In all other cases the device switches to the open door mode when **OP 61** is set (active door reset).

During door opening and closing no information about the manual or preset cooking program is displayed.

## Pause mode

- That mode allows for pausing the ongoing cooking cycle in order to try or stir the food.
- When during the manual / preset cooking the device door is opened or closed, or **“STOP”** button is pressed, the device switches to the pause mode.
- When the device is in the pause mode, the remaining cooking time is shown on the display.
- The device switches from the pause mode to the ready mode in the same way as from the ready mode to the stand-by mode, it depends on time set in **OP 04** (buttons/display) (preset is 60 seconds).
- When **“STOP”** button is pressed, the device switches to the ready mode, when **“START”** is pressed, the device immediately switches to the operation/setting mode.

## Manual setting mode

- In that mode user may manually input the cooking time and power level.
- When the device is in the ready mode, pressing **“⏪”** button switches to the manual setting mode, allowing for setting required cooking time for selected food.
- When the device is in that mode, the display shows **“00:00”**.
- Press  to select the power level, the display shows **“% POWER”**. Press one of numeric buttons to select the required power level, the display shows power connected with that button.  
To set the highest power press sequentially **“1”** and **“0”**. The digital display shows **“100% POWER”**.
- When after pressing  no numeric button is pressed, the standard setting is 100% power.
- When **“START”** is pressed during setting, the manual cooking mode is activated. After pressing **“STOP”** the device switches to the ready mode.

## Manual cooking mode

- When the device is in that mode and “**START**” button is pressed, the manual cooking mode is activated.
- When the device is in that mode, the remaining cooking time is shown. The cooling fan and lighting are activated.
- When the cooking program is realized, the device switches to the cooking cycle end. When during ongoing cooking cycle the “**STOP**” button is pressed, the device switches to the pause mode.

## Cooking cycle end mode

- After running the set cooking time in the manual cooking mode or after finishing the preset program the device switches to the cooking cycle end mode. The digital display shows “**DONE**”.
- When **OP 11** (continuous signalling) or **OP 12** (5 short acoustic signals) are selected, the acoustic signal is active until the user opens or closed the door or presses “**STOP**” to finish the cooking cycle.

After selecting **OP 10** the acoustic signal is emitted for 3 seconds, the display shows “**DONE**” then “**READY**”, and the device switches to the pause mode.

## Preset cooking program


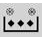
- In that mode it is possible to prepare food by selecting the preset cooking program with use of numeric buttons.
- When the device is in the ready mode and one of ten buttons is pressed, the cooking program corresponding to that button is selected.
- In that mode the digital display shows the remaining cooking time. When the multistage cooking program is used, total remaining time is shown, not time for the individual stages.
- After finishing the program the device switches mode and the digital display shows “**DONE**”.

When during ongoing cooking program the “**STOP**” button is pressed, the device switches to the pause mode.

## Quick start mode

- When the device operates and **OP 51** (quick start active) is selected, after pressing one of numeric buttons the saved cooking program for that button is activated automatically.
- The digital display shows the remaining cooking time.
- After finishing the program the device switches to the cooking cycle end mode and the digital display shows **“DONE”**.

## Defrosting program

- In the ready mode press . The digital display shows **“00.00”**.
- Press one of numeric buttons to set the defrosting time. The maximum defrosting time 99 minutes and 99 seconds.
- To start the defrosting process press  again. The preset power is 20%.
- The digital display shows the remaining defrosting time.
- After finishing defrosting the device switches to the cooking cycle end mode and the digital display shows **“DONE”**.

When during defrosting **“STOP”** button is pressed, the device switches to the pause mode.

## Defrosting guidelines


- To defrost the frozen food remove the package and put food on the plate or in the container suitable for the microwave ovens.
- Energy created by the microwave oven heats only the external layer of the product, and the heat is slowly transferred inside the product. This ensures even defrosting of the food product.
- After the defrosting time has expired, an audio alarm will sound and the device will switch off automatically. Only the interior lighting and the fan continue working for another 60 seconds.
- Cover the food products in order to quicken their heating, prevent drying out and avoid splattering of grease in the cooking chamber.  
Exceptions: break, pastries, breaded food and food products which are supposed to remain crunchy should not be covered.
- Smaller portions defrost more evenly and quicker than larger ones. Therefore, divide food products into smaller pieces prior to defrosting. An entire meal can thus be quickly and easily prepared.



- Delicate food such as paste / cakes, cream, cheese or bread should be only partially defrosted and the defrosting process should be finished at room temperature. This way the food will not be too hot on the outside while still frozen on the inside.
- The time for leaving dishes out following defrosting is very important, as it guarantees continuing of the defrosting process. After defrosting the defrosted food products should be eaten or processed further as soon as possible and should not be frozen again.

## Programming mode

That mode allows the user to save the required cooking times and power levels for the individual numeric buttons (for programming).

- Open the device door and press “1” for 5 seconds, the acoustic signal is emitted and the device switches to the programming mode.
- The digital display again shows “PROGRAM”.
- Program setting: to set program press the numeric button. After 2 seconds the digital display shows the cooking time saved for that button.  
Preset (saved) cooking times are listed in table 2 “Preset cooking / defrosting times” on page 51.
- Press  to select the power level, the display shows “% POWER”. Press one of numeric buttons to select the required power level, the display shows power connected with that button.
- To set the highest power press sequentially “1” and “0”. The digital display shows “100% POWER”.

**Hint:** First set the cooking time, then select power level.

- After setting the cooking time and power press “START” button to save the cooking program. When the program is saved, the digital display shows “PROGRAM”.
- **OP 7** (maximum cooking time) offers two possibilities: **OP 70** and **OP 71**. After selecting **OP 71** the maximum cooking time is 10 minutes and after selecting **OP 70** it is 60 minutes.  
The initially selected maximum cooking time is 60 minutes.
- The device switches to the ready mode after door closing.

- When during setting **“STOP”** button is pressed, the device switches to the open door mode. The program which is not saved is lost.

When there is a cooking program saved under one of numeric buttons, it may be started by pressing that button.

When no cooking program is saved, the acoustic signal is emitted after pressing that button.

Example of creating the cooking program:

### **Power level 70%, cooking time 1 minute and 25 seconds**

- Step 1:** Open the door and press button **“1”** for 5 seconds  
The digital display shows **“PROGRAM”**.
- Step 2:** Press the numeric button **“3”**, the digital display shows **“P:03”**  
and after 2 seconds the cooking time **“:30”** is shown.
- Step 3:** Press the numeric buttons **“1”**, **“2”**, and **“5”** to change the cooking time.
- Step 4:** Press **“7”** button, the digital display  
**shows “1:25 70”**. Setting is complete.
- Step 5:** Press **“START”** button to save settings. When program is used for the second time, just press **“3”** and it is started automatically.

### **Hint:**

1. When the device is disconnected from the power supply, saved programs are not lost.
2. When the program is to be reset or changed, repeat the above steps.
3. When during the last programming step the **“STOP”** button is pressed, the device returns to the ready mode.  
The selected settings are cancelled and the program cannot be recalled.

### **Buttons x2 (x3) (extension of cooking time)**

- Use of **x2** or **x3** buttons allows for easy extension of cooking time for selected food.
- When **x2** or **x3** button is pressed in the ready mode, after which the preset program is started, or when one of those buttons is pressed 5 seconds after starting the preset program, the device starts operating with set cooking time.
- After pressing **x2** the digital display shows **“DOUBLE”**.

- After pressing **x3** the digital display shows “**TRIPLE**”.
- When setting is made with use of numeric buttons, the preset cooking time is shown on the display.

**Example:**

The preset cooking time for numeric button “**5**” is 1 minute.

After pressing **x2** the cooking time is changed:


**1: 0 \*2 = 2 (2 minutes).**

**Hint:** That function **x2(x3)** may be used in “**Preset cooking programs**” mode only.

- After finishing the program the device switches to the cooking cycle end mode and the digital display shows “**DONE**”.

## Programming of multistage cooking

- In most cooking and programming modes it is possible to set up to three cooking stages for each program.

After setting the cooking time and power level press “” to go to the next cooking stage. Perform the same steps for the second and the third cooking stage.

- During setting the second and the third cooking stage the digital display shows “**STAGE-2**” or “**STAGE-3**”.
- Press “**START**” button to activate the set multistage cooking time.


**Example:** In the programming mode perform the **two-stage cooking time**.

The first cooking stage: power level **PL7**,  
cooking time **1 minute and 25 seconds**

The second cooking stage: power level **PL5**,  
cooking time **5 minutes and 40 seconds**

Perform the following steps:

- a. Open the oven door, press button “**1**” for 5 seconds until the digital display shows “**PROGRAM**”.
- b. Press the numeric button “**3**”, the digital display shows “**P:03**” and after 2 seconds the preset cooking time “**:30**”.
- c. Press the numeric buttons “**1**”, “**2**”, and “**5**” to set the cooking time to 1 minute and 25 seconds. The cooking time “**1:25**” will be shown on the display.

- d. Press “7” button, the digital display shows “1:25 70”. Setting of cooking stage 1 is finished.
- e. Press “”, the digital display shows “STAGE-2”.
- f. Press buttons “5”, “4”, and “0” to set the cooking time for that stage. The digital display shows the cooking time “5:40”.
- g. Press “5”. The digital display shows “5:40 50”. Setting of cooking stage 2 is finished.
- h. Press “START” button to start cooking.
- i. The remaining cooking program time (not the individual stages) is counted down on the display.

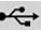
### Filter cleaning function

- When **OP 02** is selected and the saved time is coming, the device reminds the user of cleaning the filter.

**Hint:** The device must be connected to the power supply.

- The digital display shows “**CLEAN FILTER**”.  
When “**STOP**” button is pressed and held for 3 seconds during that message, the device switches to the ready mode. After opening the door the digital display shows “**CLEAN FILTER**” message again.
- When filter does not require cleaning yet, press and hold “**STOP**” for 3 seconds to cancel the message. Otherwise the device will be reminding of filter cleaning during the pause.

### USB memory function

- In the ready mode connect pendrive to appropriate port on the right side of the device.
- Press **USB**  to update saved data. The digital display shows “**LOADING**”.
- After successful data update the digital display shows “**SUCCESS**”, otherwise it shows “**FAIL**”.

## Options mode

The options mode allows the user to select between various settings (table 1 “**User options**”, pages 50-51).

- Open the door and press the numeric button “**2**” for 5 second, the acoustic signal is activated and the device switches to the options mode.
- The digital display shows “**OP:--**”.
- Press one of the numeric buttons to indicate the possible options and make changes.

**Example:** set the signal volume.

Press button “**2**” for 5 seconds,  
the preset option “**OP:22**” is shown.

To change it, press and hold button “**2**”,  
the digital display shows the successive setting possibilities  
“**OP:20**”, “**OP:21**”, “**OP:22**”, “**OP:23**”.

- Press “**START**” when the desired setting is shown to save it. Saved option is shown on the display “**OP:--**”.
- When during setting the “**STOP**” button is pressed, the device switches to the open door mode. Close the door, the device switches to the ready mode.
- When “**START**” button is not pressed after the last stage, the option is not saved and the default setting remains active.

## 6. Cleaning



### **WARNING!**

**Disconnect the device from the power supply (pull the plug from the socket!) before cleaning.**

**The device is not designed for direct washing via water jets!**

**Make sure no water gets into the device.**

### **Important tips**

- Clean the device regularly. If the device is not kept clean, this may affect the durability of the device and has a negative impact on its operation and lead to accumulation of fungi and bacteria.
- Immediately remove any remnants of food and beverages from the walls of the internal chamber of the device with a moist cloth. If you wait too long, the cleaning may become difficult and in extreme cases not possible at all. Excessive contamination may lead to damaging of the device.
- Do not use hard and sharp objects to remove dry dirt.
- Avoid using sprays and other aggressive cleaning agents (e.g. oven cleaners), as such chemicals may leave stains or even damage the surface of the device.

### **Cleaning**

#### **Cooking chamber and internal side of the door**

- Wipe the interior walls and the ceramic bottom of the cooking chamber with warm water and a soft cloth.
- Clean the interior of the door, door seals and other adjacent elements with a moist cloth to remove the entire dirt.
- If condensation forms on the inside or outside of the door, remove it with a soft cloth. The condensation forms when the microwave oven is operated in high humidity environment. This is a normal occurrence.
- Unpleasant odours can be removed from the device by placing a glass of water with lemon juice and lemon peel in a container designed for use in microwave ovens and heating it for approx. 10 minutes. Afterwards, wipe the device thoroughly with a soft, dry cloth.
- After cleaning the cooking chamber, leave the device's door open until the device is fully dry.

## Housing and control panel

- Wipe the housing and control panel with a soft, moist cloth.

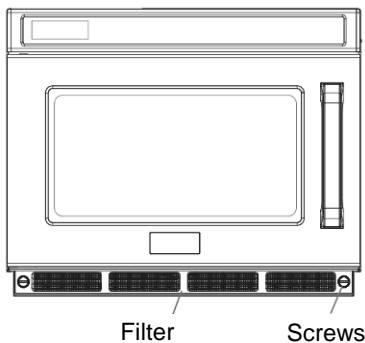


**Leave the door open to avoid its accidental switching on.**

- Make sure no water gets inside the device.
- To protect the elements inside the device against damage, make sure no moisture gets into the device through the holes.

## Filter

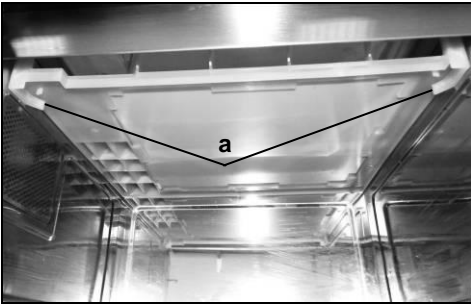
- Periodically clean the filter located in front part of the device.



- Loosen right and left screws rotating them counterclockwise.
- Remove the filter.
- Wash the filter in warm water and gentle cleaning agent.
- Replace the filter.
- Tighten right and left screws.

- Keep in mind that the filter must always be installed before using the microwave oven.
- The factory setting reminds the user of filter cleaning every 30 days.

## Upper anti-splash cover



- Remove the anti-splash cover for washing. Press both handles together (**a**) on left and right side, loosen the cover from the fixing holes, press it down and remove.
- Wash the cover in warm water and gentle cleaning agent, then dry thoroughly.

- Finally install the anti-splash cover in the device. Slide it askew into the device until the back pins are fixed in the holes in the back wall, then press the cover upwards so the left and right front pins are caught in the front fixing holes.

## Storing the device

- If the device is not used for a longer time, clean the device according to the above mentioned instructions and store it in a dry, clean place protected against frost, sun and children. Do not place any heavy objects on the device.

## 7. Possible Malfunctions

### If the microwave oven fails to function:

1. Check that it has been properly plugged in. Remove the plug from its socket and wait approx. 10 seconds, then reinsert it into the socket.
2. Check that a circuit breaker or the main circuit has not been disconnected. If they are functioning properly, check the connection using other electronic appliances.
3. Check that the door is closed properly (safety lock). If it is not, to ensure safety microwaves will not be formed inside the cooking chamber.



## If you cannot remove the malfunctions:

- do not open the body,
- notify the customer service point or contact the sales agent, while providing the following information:
  - type of malfunction;
  - article and serial number (rating plate at the rear of the device).

## 8. Waste disposal

### Discarding old devices

At the end of its service life the discarded device has to be disposed in accordance with the national regulations. It is advisable to contact a company which is specialized in waste disposal, or just contact the local disposal service in your community.



**WARNING!**

**To exclude any abuse and the dangers involved make the waste device unfit for use before disposal.**

**For that purpose disconnect device from mains supply and remove mains connection cable from the device.**



**CAUTION!**



**For the disposal of the device please consider and act according to the national and local rules and regulations.**